

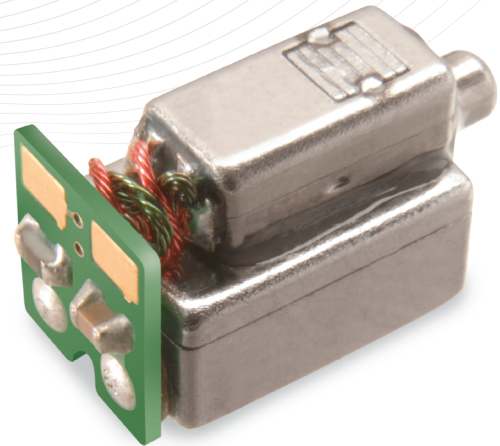
# Balanced Armature Driver

## GQ-30783-000

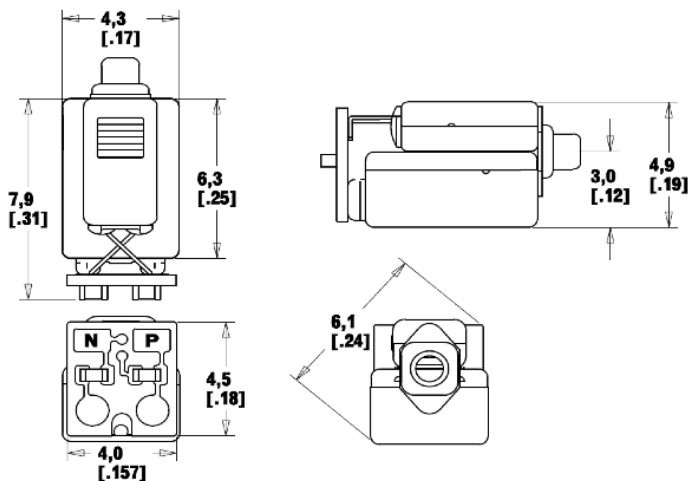
2-Way Full-range

### Product Features:

- Small Woofer / Tweeter Combination
- Warm Bass
- Excellent treble extension
- RoHS compliant



### Outline Drawing mm (inches)



### Demonstrator Earphone Model Number

(standard sample in BOLD)

	without MIC	with MIC
Straight Cable	TC-32211-B85	<b>TC-32282-B85</b>

Ordering Information:  
Model Number: GQ-30783-000

Phone: (630) 250-5100  
Fax: (630) 250-0575  
info@knowles.com

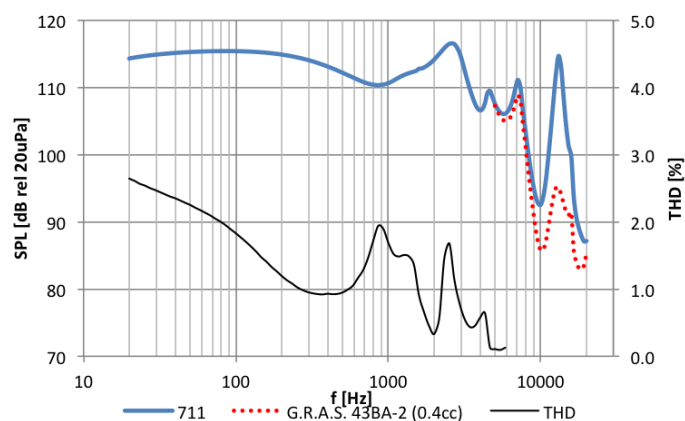
Knowles  
1151 Maplewood Drive  
Itasca, Illinois 60143

# Balanced Armature Driver

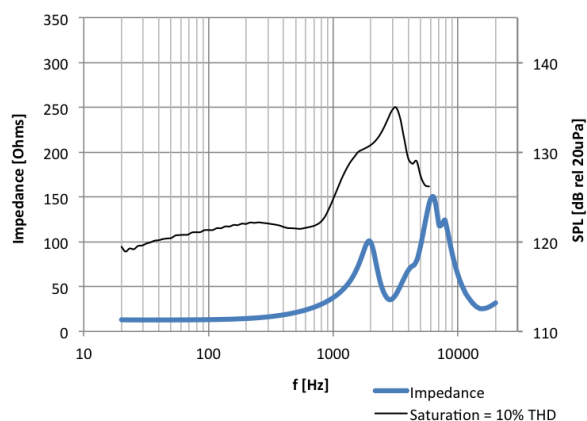
## GQ-30783-000

2-Way Full-range

### Frequency Response and THD



### Impedance and Saturation SPL



### Testing Conditions

- using 100mV rms drive signal
  - IEC60318-4 (711) coupler with DB2012 adapter
  - ..... G.R.A.S. 43BA-2 (0.4cc) with baffle adapter
  - THD
- All test conditions use small eartip size

### Typical Performance at 1kHz

Impedance	38	Ohms
Sensitivity to 100mV	111	dB SPL
Sensitivity to 1mW	116	dB SPL
Max SPL <sup>a</sup>	125	dB SPL
THD at 94dB SPL	0.1	%
THD at 100dB SPL	0.3	%

#### Footnotes:

<sup>a</sup> SPL at 10% THD

- Note:
- Ask about custom assembly options (lead wires, customer-specified materials, etc.)
  - To prevent heat damage, follow soldering guidelines in application note AN13 (knowles.com)
  - Measurement data for reference only. Refer to model specification for full dimensions and performance.

Ordering Information:  
Model Number: TC-32211-B85

Phone: (630) 250-5100  
Fax: (630) 250-0575  
info@knowles.com

Knowles  
1151 Maplewood Drive  
Itasca, Illinois 60143